



VOGEL
BY CHERVIN



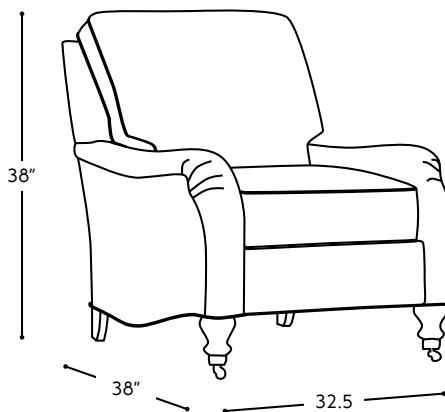
11616

RAFFERTY LOUNGE CHAIR

This lounge chair has a lot going for it, so we put wheels on the front! Solid and durable, it can easily be repositioned for a chat or relocated to a cozy spot for some quiet time with a good book or a cup of tea. Adding to the overall design, the curvaceous front legs are trimmed with ferrules and casters. You can explore the hundreds of covering possibilities we offer and choose the perfect fabric, colour, and pattern to make your chair one of a kind.

FEATURES + CUSTOMIZATIONS

- Standard with feather and fibre blend back cushions
- Decorative antiqued brass ferrules and casters are standard
- Arm caps are available upon request
- Matching ottoman (12616)
- The frame is crafted from a combination of engineered and solid wood
- Crafted in Canada



SEAT HEIGHT: 20.5" ARM HEIGHT: 23.5"