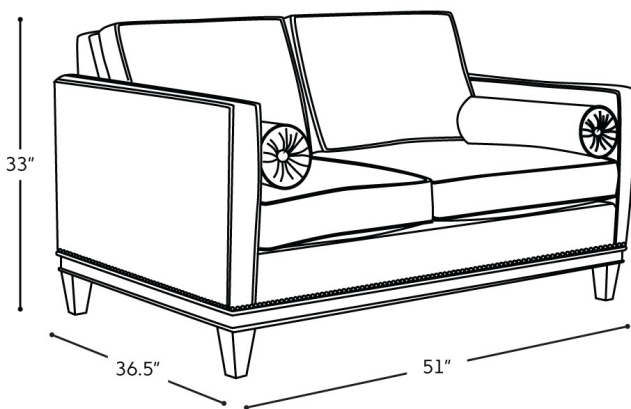




14207

ANTHONY LOVESEAT

This exquisite design comes standard with metal nail head trim and includes a pair of round bolster pillows in the same fabric you choose for the sofa. You can also choose a single bench seat cushion or three over three for the sofa. There are so many wonderful choices to make this your very own creation and we're here to help you ever step of the way.



SEAT DEPTH: 22" SEAT HEIGHT: 19" ARM HEIGHT: 28.5"

MORE FROM THE ANTHONY COLLECTION



14107



14207



14307

FEATURES + CUSTOMIZATIONS

- Standard with foam and fibre blend back cushions
- Customize your comfort level - Firm, Soft, or Ultra-Lux
- Available with 2 seats or a single bench seat - please specify on your order
- Standard with metal nail head trim (as shown)
- Standard with a pair of 18" x 18", 100% feather-filled self-piped toss pillows or a pair of foam-filled round bolsters (in the same fabric) - please specify on your order
- In leather or non-directional fabrics, the implementation of seams is required
- The frame is crafted from a combination of engineered and solid wood
- Crafted in Canada